

**2218R • 18" Solid Door Refrigerator • 2000 Series**

**FEATURES & BENEFITS**



STAINLESS SOLID



INTEGRATED SOLID



STAINLESS SOLID (HANDLELESS PANEL)\*

|                          |   |
|--------------------------|---|
| <b>PERFORMANCE</b>       | <ul style="list-style-type: none"> <li>• Volume of 3.4 cu ft holds up to 79 bottles (12 oz) or 123 cans (12 oz)</li> <li>• Digital Touch Pad Control is conveniently located on upper face of unit</li> <li>• Temperature range: 34°F - 45°F</li> <li>• Convection cooling system rapidly and efficiently takes items to the set temperature</li> </ul>   |
| <b>INTERIOR/EXTERIOR</b> | <ul style="list-style-type: none"> <li>• Black interior is illuminated with LED Lighting</li> <li>• Three adjustable tempered glass shelves with 11 height positions</li> <li>• Full-extension, slide-out crisper drawer is removable for easy cleaning</li> <li>• Standard commercial stainless steel handle is interchangeable with professional handle accessory</li> <li>• The door swing is field reversible and is shipped right-hand hinged</li> </ul> |
| <b>INTEGRATION</b>       | <ul style="list-style-type: none"> <li>• Robust, concealed and covered hinges with built-in door stop and closer</li> <li>• Integrated model requires 3/4" custom panel of your choice, or can accept U-Line Euro Style Handleless Stainless Panel Accessory (must be ordered separately)</li> <li>• Fixed grille can accept an integrated toe-kick</li> <li>• Four independently adjustable leveling legs provide a precise undercounter fit</li> </ul>      |

**MODEL DETAILS**

| Model          | Voltage/Hz | Door Swing       | Finish           | Shipping Weight |
|----------------|------------|------------------|------------------|-----------------|
| U-2218RS-00B   | 115 / 60   | Field Reversible | Stainless Solid  | 119 lb          |
| U-2218RINT-00B | 115 / 60   | Field Reversible | Integrated Solid | 116 lb          |

**ACCESSORIES**

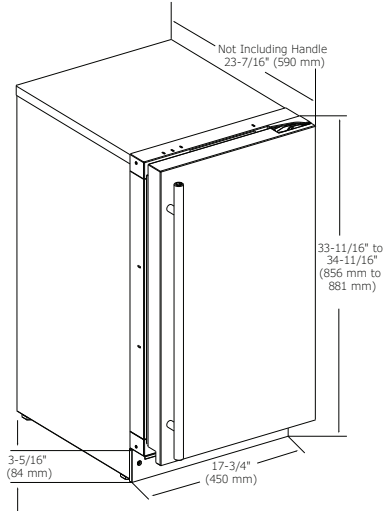
| Model       | Description                               | Finish    | Shipping Weight |
|-------------|---|-----------|-----------------|
| 80-54247-00 | Professional Door Handle, 1 1/4" Diameter | Stainless | 2 lb            |
| 80-54214-00 | Commercial Door Handle, 7/8" Diameter     | Stainless | 2 lb            |
| U-ESP45S*   | Euro Style Handleless Panel, 18" Solid    | Stainless | 9 lb            |

\*Installs on integrated models.

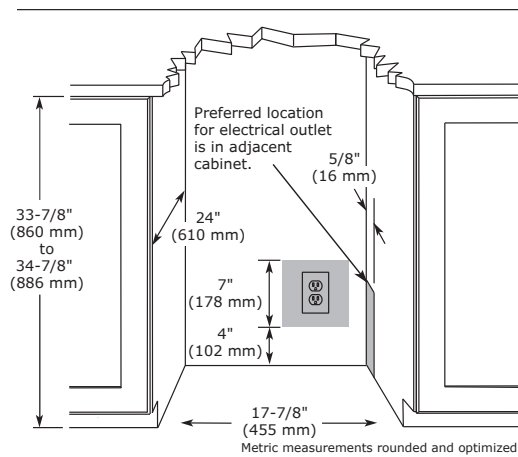
2000 Series • 18" Solid Door Refrigerator • 2218R

**DIMENSIONS**

Dimensions shown apply to all finishes, including Integrated (INT) models with 3/4" integrated panel/frame installed.



**CABINET CUT-OUT**



**INSTALLATION NOTES**

When installing adjacent to wall, ensure 2 1/2" clearance on hinged side for 90° door opening, allowing ample room for door handle.

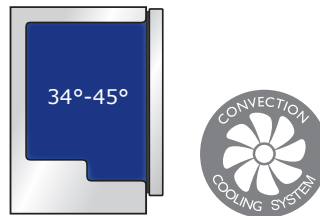
No additional clearance around sides, top or rear of unit is needed for ventilation.

Do not obstruct front grille air flow.

**SPECIFICATIONS**

|                                   |                      |
|-----------------------------------|----------------------|
| Model                             | 2218R                |
| Amps: Running                     | 1.2                  |
| Capacity: Bottle (12 oz)          | 79                   |
| Capacity: Can (12 oz)             | 123                  |
| Capacity: Volume (cu ft)          | 3.4                  |
| Control Type                      | Digital Touch Pad    |
| Dimensions: Product Depth         | 23 7/16" / 590 mm    |
| Dimensions: Product Height        | 33 11/16" / 856 mm   |
| Dimensions: Product Width         | 17 3/4" / 450 mm     |
| Energy Consumption: Avg. Per Year | 230 kWh              |
| ENERGY STAR / CEE RATING          | ENERGY STAR / Tier 3 |
| Panel Height                      | 30" / 762 mm         |
| Panel Thickness                   | 3/4" / 20 mm         |
| Panel Type                        | Solid Panel          |
| Panel Width                       | 17 5/8" / 445 mm     |
| Product Weight: Max               | 110 lb               |
| Refrigerant Type                  | R600a                |
| Sabbath (Star K Certified)        | Yes                  |
| Temperature Range                 | 34°F - 45°F          |

**COOLING SYSTEM**



**ELECTRICAL REQUIREMENTS**

This unit requires a grounded, polarized 115 VAC, 60 Hz, 15 A power supply (normal household current).



Residential

Please visit U-Line.com to view this model's User Guide. All specifications are subject to change without notice.